

# 3D Printing

Matthew Miller

KK4NDE

# WHAT IS 3D PRINTING?

- 3D printing is NOT:
  - Instant creation of pieces
  - Near-zero-cost creation of everything you could want
  - A “replicator” from Sci-Fi

# WHAT IS 3D PRINTING?

- 3D printing IS:
    - Rapid way to prototype parts
    - Limited in the size and complexity of pieces
    - Limited in the strength and durability of pieces
    - Inexpensive means to produce simple shapes or pieces
    - Effective way to produce individual, simple plastic parts
    - Effective way to repeatedly produce identical parts
-

# MECHANICS OF 3D PRINTERS

- Different types:
    - Extrusion of single or multiple filaments into additive layers of fused plastic
      - Cheaper
      - Slower (medium prints measured in hours to days)
      - Lower resolution
      - More common for consumer market
    - Light-sensitive vat of liquid plastic hardened into a solid
      - More expensive
      - Faster (medium prints measured in minutes to hours)
      - Higher resolution
      - Not common in consumer market
-

# OVERVIEW OF COSTS

- Printer: Solidoodle 2 (\$500 base) with heated bed (\$100 extra)
  - Maximum print size approx 150mm (5.9 inches) cube
  - Z-axis “height” resolution 300 micron / 0.3mm (typical) 100 micron / 0.1mm (maximum)
  - Uses one color of 1.75mm diameter filament
- Filament “ink”:
  - ABS (petroleum based) Plastic
  - Also available as PLA (corn based) plastic
  - Commonly sold in 1kg / 2.2lb rolls, approx \$30-\$35 per spool

# HOW TO GET PARTS...PART 1

- Download parts off internet to print
    - Makerbot's Thingiverse.com site
    - Google's Sketchup Warehouse
    - Others...
  - Examples:
    - CB Mic holder
    - Raspberry Pi case
    - "Frequency Upconverter" Case
    - Star Trek Next Generation "Com-Badge" , Romulan warship, Enterprise-D Starship
    - Spare or Replacement parts for 3D printer
-

# DOWNLOADABLE PARTS



<http://www.thingiverse.com/thing:61722>



<http://www.thingiverse.com/thing:29860>

# DOWNLOADABLE PARTS



<http://www.thingiverse.com/thing:18862>



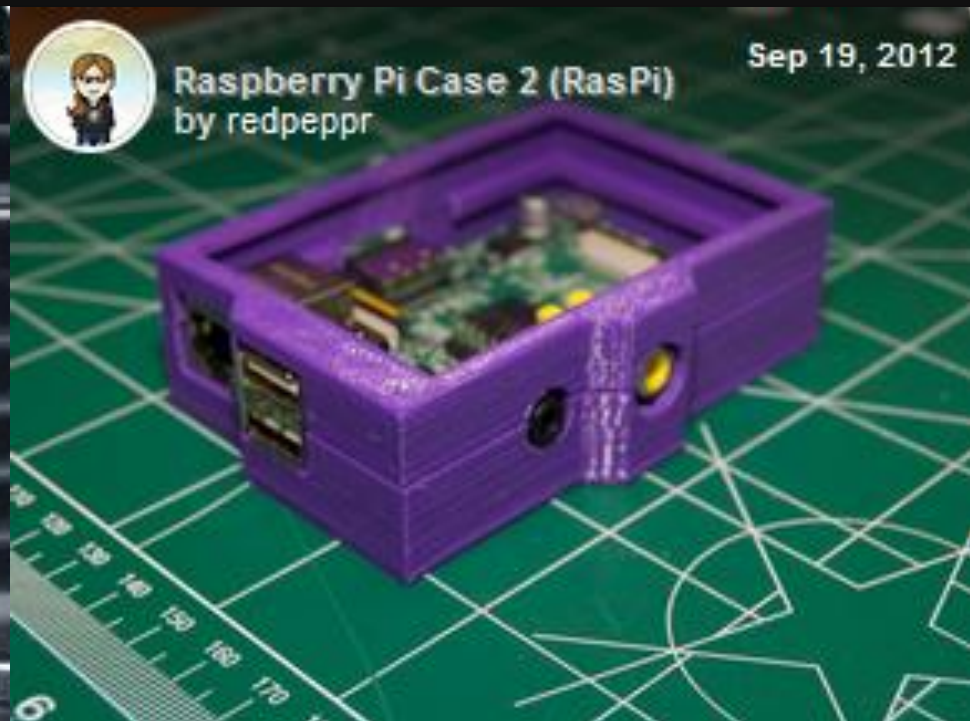
<http://www.thingiverse.com/thing:240451>



# DOWNLOADABLE PARTS



<http://www.thingiverse.com/thing:43329>



<http://www.thingiverse.com/thing:30572>

# HOW TO GET PARTS...PART 2

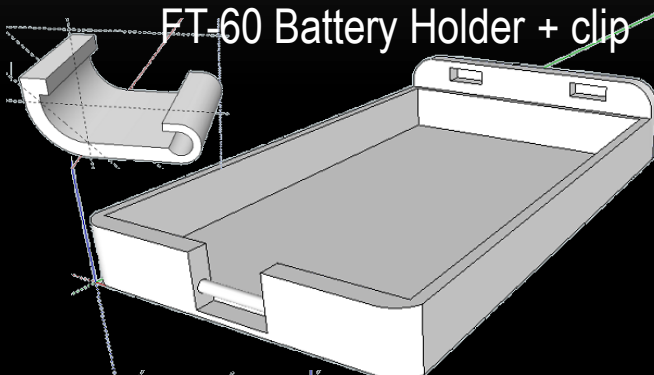
- Create custom parts
  - Sketchup (free personal maker-edition) – formerly Google Sketchup
  - Most CAD design programs
- Modify downloadable parts to custom specifications
  - Most CAD programs can import the “STL” standard files

# HOW TO GET PARTS...PART 2

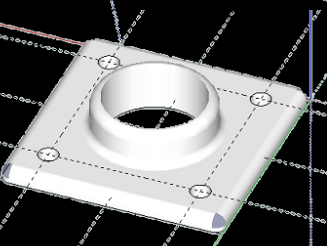
- Examples
    - Mounting bracket to add “On/Off” switch to 3D Printer
    - Spare Battery Holders for Yaesu FT-60 and VX-6R
    - Banana Plug Terminal cover
    - Keychain battery holder
    - Arduino case
    - Wireless Router stand
    - Closet door switch box for micro-switch
    - Repair for radio knob “D” slot
    - VFO “dimple” knob
    - Triangle corner-brace for wobbly shelf
    - Toilet paper holder
-

# CUSTOM CREATED PARTS

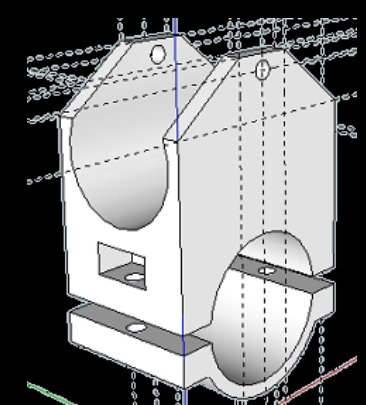
FT-60 Battery Holder + clip



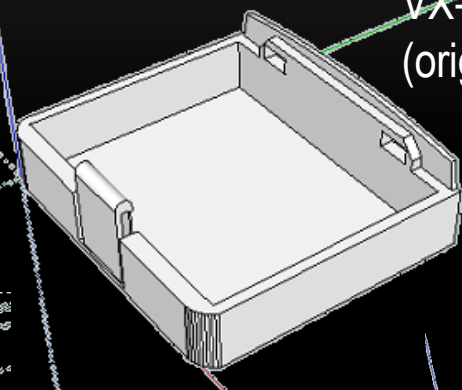
Guide for plywood top on metal shelving



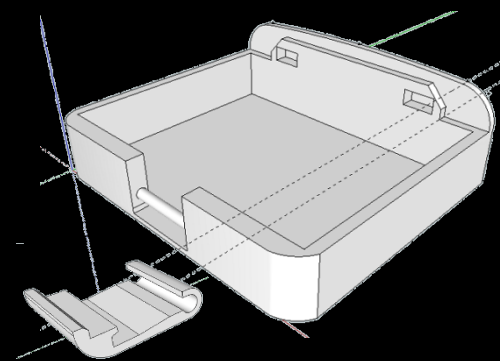
Bicycle handlebar  
SureFire E2D flashlight mount



VX-6 Battery Holder  
(original flex clip)

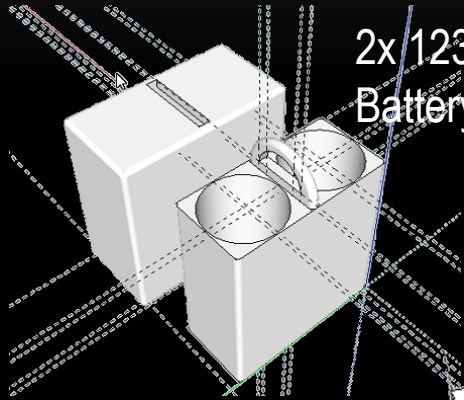


VX-6 Battery Holder  
(revised) + clip

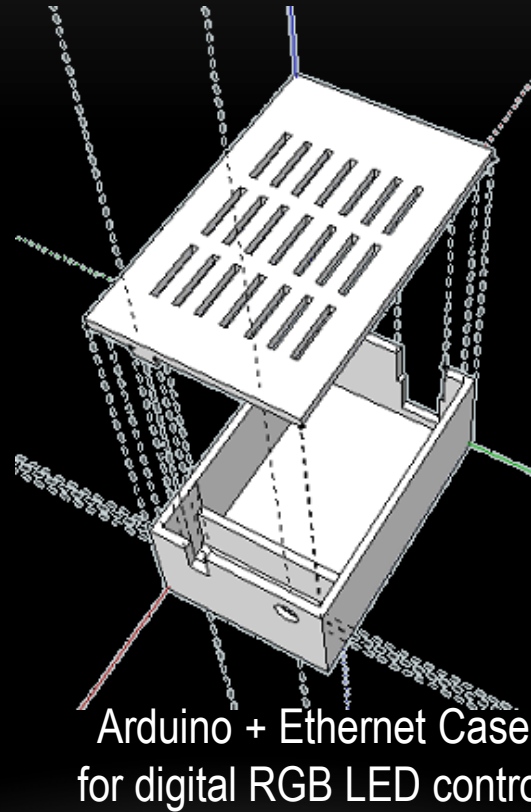
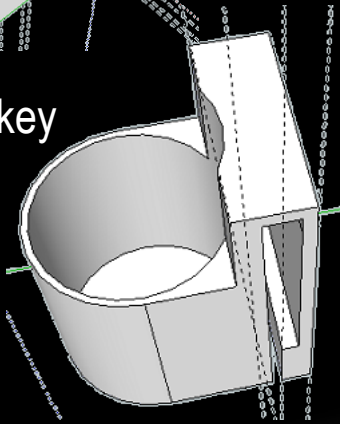


# CUSTOM CREATED PARTS

2x 123A  
Battery Holder

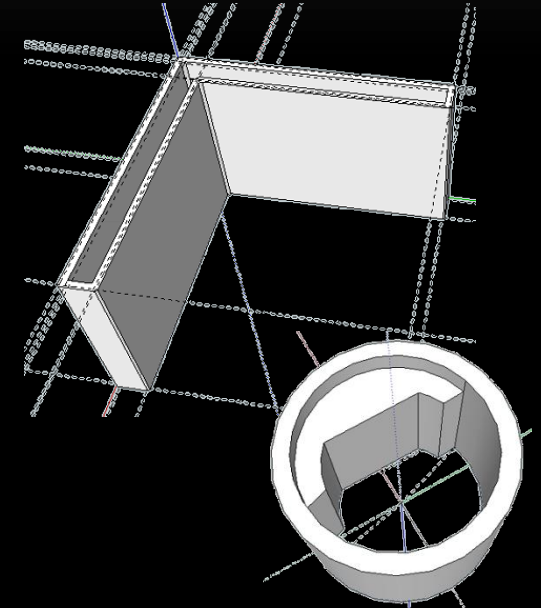


Car wheel key  
clip for  
glove box



Arduino + Ethernet Case  
for digital RGB LED control

Bed frame end cap

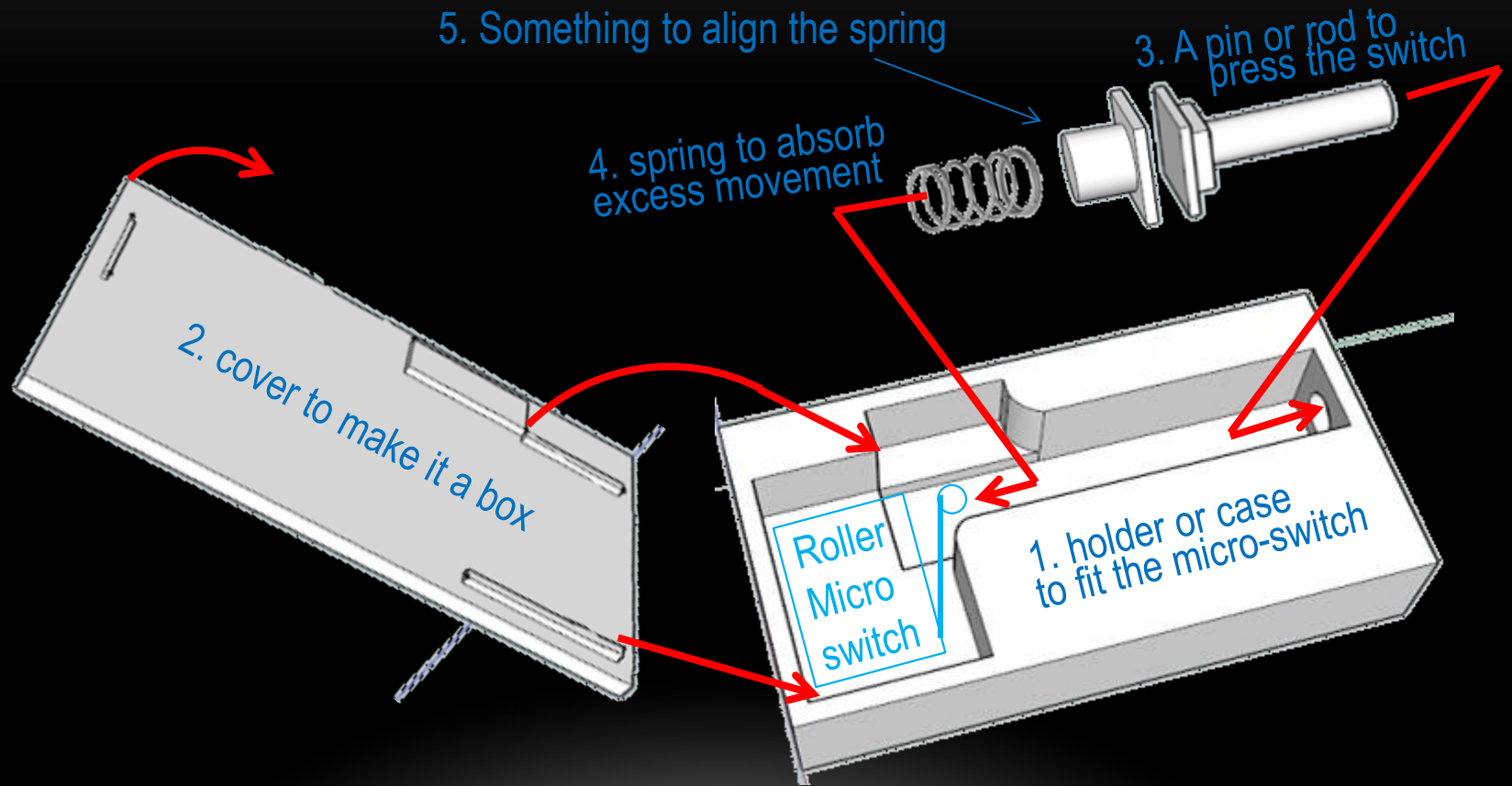


Replacement back for  
broken car radio knob

# VFO DIMPLE KNOB



# CREATION OF MORE COMPLEX PARTS: MICRO-SWITCH FOR DOOR



# CREATION OF MORE COMPLEX PARTS: MICRO-SWITCH FOR DOOR

